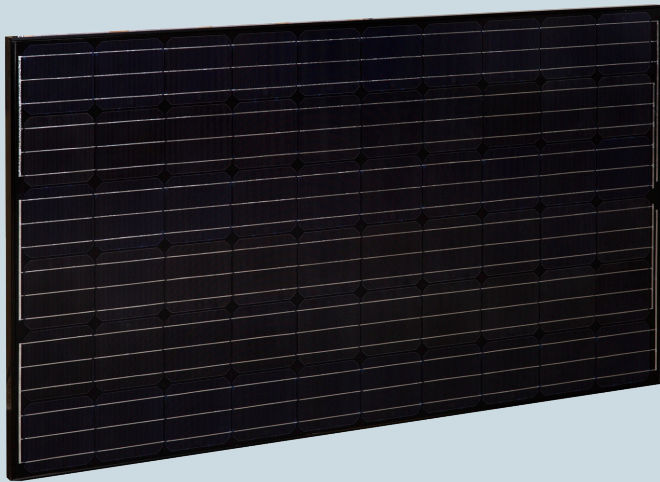




**High-quality and high-efficiency
PV yields sensible solar**

SUNIVA OPTIMUS® SERIES MONOCRYSTALLINE SOLAR MODULES



OPTXXX-60-4-1B0 (60 CELL MODULE)

The Optimus® modules consist of Suniva's latest technology: ARTisun® Select. These superior monocrystalline cells are designed and manufactured in the U.S.A. using our proprietary low-cost processing techniques. Engineered with our pioneering ion implantation technology, high power-density Optimus modules provide excellent value, performance and reliability.

Certifications:



Engineering Excellence

- Built exclusively with Suniva's highest-efficiency ARTisun Select cells, providing one of the highest power outputs per square meter at an affordable manufacturing cost
- Suniva's state-of-the art manufacturing facility features the most advanced equipment and technology
- Suniva is a U.S. -based company spun out from the Georgia Tech University Center of Excellence in Photovoltaics (one of only two such research centers in the U.S.)

Features

- Contains the latest ARTisun Select cell technology - over 19%
- Black frame and backsheet ideal for residential market
- Positive only tolerance ensures predictable output
- Marine grade aluminum frame with hard anodized coating
- Industry leading linear warranty (10 year warranty on workmanship and materials; 25 year linear performance warranty delivering 80% power at STC)
- Buy America compliant upon request
- Qualifies for U.S. EXIM financing
- System and design services available

Quality & Reliability

- Suniva Optimus modules are manufactured and warranted to our specifications assuring consistent high performance and quality worldwide.
- Rigorous quality management
 - Performance longevity with advanced polymer backsheet
 - Produced in an ISO 9001: 2008 certified facility
 - Passed the most stringent salt spray tests based on IEC 61701
 - Passed enhanced stress tests¹ based on IEC 61215 conducted at Fraunhofer ISE²
 - Certified PID free
 - Ask about our validated PAN files

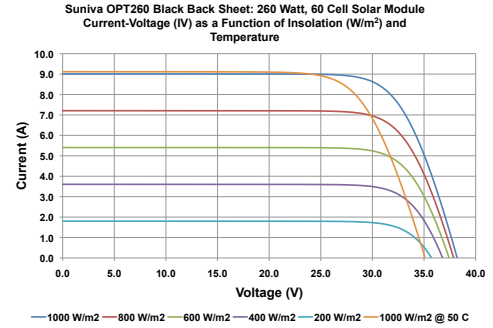
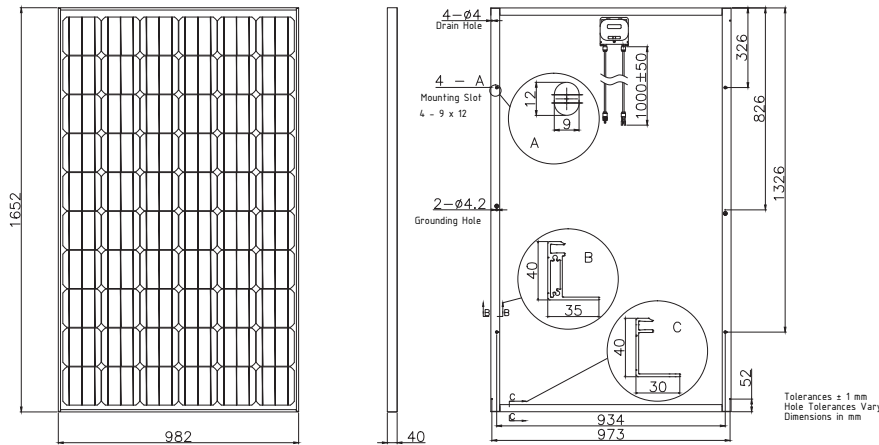
OUR PRODUCTS:

Monocrystalline Modules
OPTIMUS SERIES 60 cell
OPTIMUS SERIES 72 cell

Multicrystalline Modules
MV SERIES 60 cell
MV SERIES 72 cell

Monocrystalline Cells
19%+ efficiency

Balance of Systems Solutions (BOSS)
Racking, Inverters, Batteries, Energy Storage Appliances and EV Chargers



ELECTRICAL DATA (NOMINAL)

The rated power may only vary by -0/+4.99Wp and all other electrical parameters by ± 5%

Power Classification	Pmax (W)	255	260	265
Module Efficiency	%	15.71	16.02	16.33
Model Number	OPT	255-60-4-1B0	260-60-4-1B0	265-60-4-1B0
Voltage at Max. Power Point	Vmp (V)	30.20	30.50	30.70
Current at Max. Power Point	Imp (A)	8.45	8.52	8.64
Open Circuit Voltage	Voc (V)	38.1	38.3	38.3
Short Circuit Current	Isc (A)	8.96	9.01	9.12

The electrical data apply to standard test conditions (STC): Irradiance of 1000 W/m² with AM 1.5 spectra at 25°C.

DIMENSIONS AND WEIGHT

Cells / Module	60 (6x10)
Module Dimensions	1652 x 982 mm (65.04 x 38.66 in.)
Module Thickness (Depth)	40 mm (1.57 in.)
Approximate Weight	17.9 +/- 0.25 kg. (39.5 +/- 0.5 lb.)

CHARACTERISTIC DATA

Type of Solar Cell	High-efficiency Suniva® ARTisun® Select monocrystalline cells of 156 x 156 mm (6 in.)
Frame	Black anodized aluminum alloy
Glass	Tempered (low-iron); anti-reflective coating
Junction Box	NEMA IP65 rated; 3 internal bypass diodes
Cable & Connectors	12 AWG (4 mm ²) cable with Tyco or MC4 compatible (H4) connectors ³ ; cable length approx. 1000 mm
Hardware (Available Upon Request)	Grounding screws: (2) #10-32 x 12.7 mm (#10-32 x 0.5 in.) Stainless steel flat washers: (4) 5 x 10 x 1 mm (0.2 in. ID x 0.39 in. OD x 0.03 in.)

TEMPERATURE COEFFICIENTS

Voltage	β , Voc (%/°C)	-0.335
Current	α , Isc (%/°C)	+0.047
Power	γ , Pmax (%/°C)	-0.420
NOCT Avg	(+/- 2 °C)	46.0

LIMITS

Max. System Voltage	1000 VDC for IEC (600 VDC for UL)
Operating Module Temperature	-40°C to +85°C
Storm Resistance/Static Load ¹	Tested to IEC 61215 for loads up to 5400 Pa; hail and wind resistant

Suniva® reserves the right to change the data at any time. View manual at suniva.com. ¹UV 90 kWh, TC 400, DH 2000.

²Tests were conducted on module type OPT 60 silver frame. ³See sales rep.

[SAMD_0016]

Headquarters

5765 Peachtree Industrial Blvd.,
Norcross, Georgia 30092 USA
Tel: +1 404 477 2700

www.suniva.com



Please recycle.